

mobilab 2

Design and Innovation

New CE

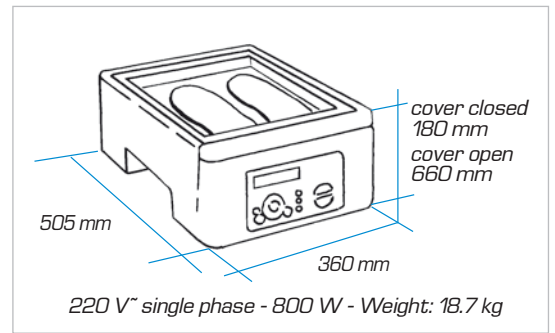


The Mobilab 2 is a compact and high quality equipment for heating and thermo-welding orthotics.

It's equipped with a touch-sensitive multipurpose control panel, (3-settings for heating time and temperature), one heating and vacuum platform and two external vacuum outlets.

The 2 external vacuum outlets can be used with the Podiatech specific moulding techniques (vacuum bags and vacuum socks).

Also included, a pedal for operating the vacuum pump.



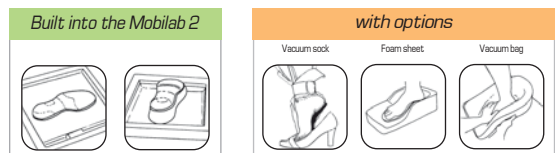
Delivered with the following accessories:

- 1 Pack of 4 Teflon protective sheets
- 1 Large Teflon protective sheet
- 2 OPCT® forefoot protectors
- 1 Bottle of talc
- 1 OK Net cleaning spray
- 1 Fuse
- 1 Instruction booklet

1 year warranty

Provided use is in accordance with user instructions. Machine warranty excludes damage caused by the use of plaster positives.

Techniques possible with Mobilab 2 :



New-generation coloured silicone membrane
> even more flexible and hardwearing membrane

Fastening system ensures easy membrane change

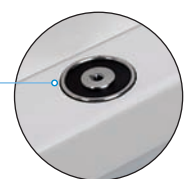
Heating surface for XXL insole
275 mm x 385 mm

Gasketless seal

Scratch-resistant (baked) painted metal structure

Built-in carrying handles for easy handling

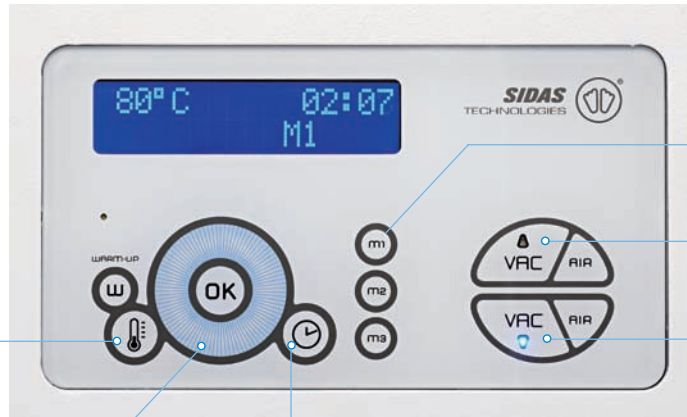
Touch-sensitive multipurpose control panel



Electromagnet: locks frame automatically as soon as vacuum pump is activated

Touch-sensitive multipurpose control panel

- > dust-free surface
- > intuitive operation
- > easy to clean



Temperature selection

Temperature and time settings

Time selection

Memory modes:
Time/Temperature °C memories

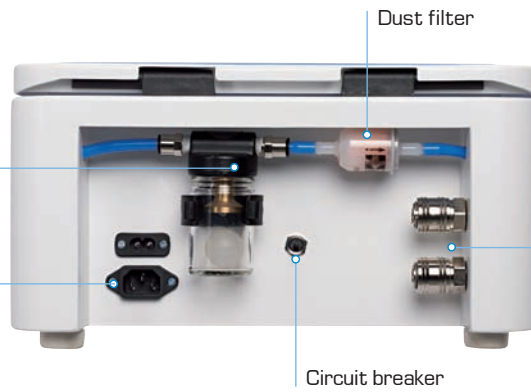
Frame vacuum control

External vacuum control

Rear view

Water trap

Power supply and pedal connection socket



Circuit breaker

External vacuum outlets for
Vaccum Bags techniques
and vacuum socks

Mobilab 2 cabinet

Rear view

Features to ensure
perfect fit
for Mobilab 2



Unit dimensions

Width 360 mm
Height 1000 mm
Depth 500 mm



Double back
with space for cables



Pull-out drawer

2 external vacuum
outlets built
into the Mobilab 2 unit

Set-up example:



*1 SBd Hard for maximum precision, for obtaining a footprint without depressing the bag.

Podiatech International:
PA Champfeuillet EST - BP 353 - 18 rue Léon Béridot - 38509 VOIRON CEDEX France
International Sales Dpt:
Ph.: +33 4 76 67 07 07 - Fax: +33 4 76 67 35 12 - info@sidas.com - www.podiatech.com