



A cold zone can be created for cases where the front of the orthotics does not require heating.

The H LAB cover exerts constant pressure on the heated area, guaranteeing uniform heat distribution throughout the surface of the orthotic.

Heating system:

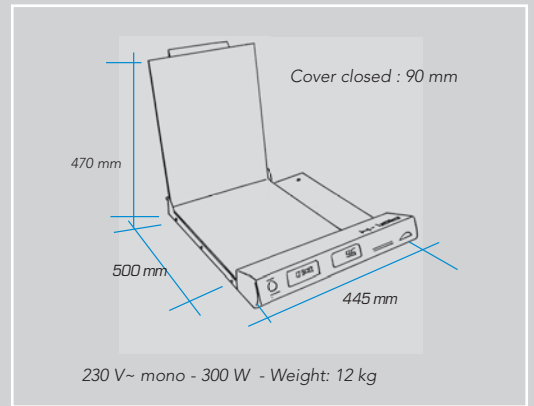
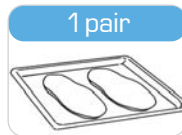
Uniform with built-in timer, adjustable from 0°C to 140°C



Built-in timer and thermostat

Heating surface:

255 x 350 mm
from 290 W 220 V
to 140° maximum



Set-up example



H lab + 2 pairs of Foam pads + 1 platform + storage unit

Guaranteed 1 year