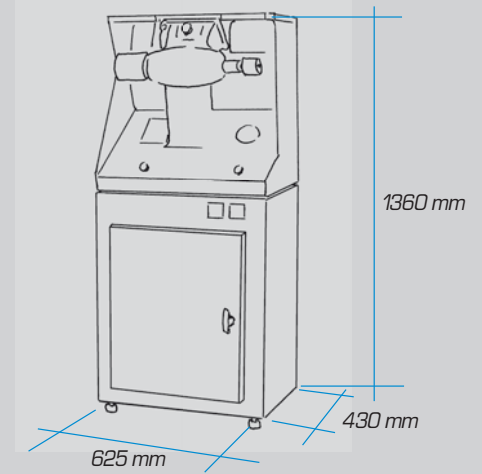


# PODIATRY GRINDER

G3 GRINDER 



Weight: 75 kg  
Motors power output: 1000 W  
(grinder 600 W  
+ suction 400 W)  
Consumption: 1000 W  
Power supply: 230 V ~ single phase  
Speed of rotation: 2850 rpm  
  
Height of grinder axle: 116 cm

Streamlined sanding unit with built-in turbine vacuum cleaner: 78 dB(A). 2 sanding stations:

- Station 1 on the right [facing the grinder]: manual self-locking mandrel to which the grinder accessories can be fitted.
- Station 2 on the left [facing the grinder]: rubber expanding wheel (Ø 90 mm), 100 mm wide, designed to hold the abrasive belts.

## ADVANTAGES:

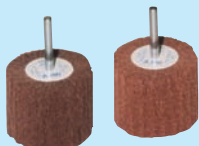
- Wide work area: the operator is not restricted.
- Abrasive belts can be changed quickly and easily without tools.
- Emergency stop button.

All the grinders are delivered with the same accessories of the G4 grinder

All the grinders (except the G1) are delivered with the following set of accessories :

- 1 cleaning handbrush
- 6 grinding belts (3 x fine-grain et 3 x coarse-grain)
- 1 grinding tip holder + 3 sanding tips
- 1 sanding wheel diam. 80 mm grey
- 2 polishing wheels (soft and firm) brown
- 1 belt-cleaner stick
- 1 pair of safety goggles
- 1 pack of 5 masks
- 1 apron
- 1 instruction manual

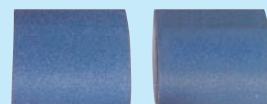
## Grinder accessories



Polishing rollers  
[grade: 180 (soft)  
and 280 (firm)]



Grinding roll  
[Ø 80 mm]



Grinding belts  
[fine-grain]  
[coarse-grain]



Hood shape grinder and support  
Pack of 10 sanding tips